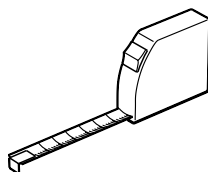
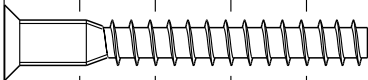
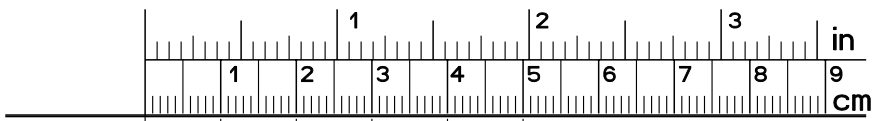


		mm			inch		
⑭	x 1	328	326	16	12 15/16	12 13/16	5/8
④	x 1	396	326	16	15 9/16	12 13/16	5/8
⑨	x 1	724	157	16	28 1/2	6 3/16	5/8
⑤	x 1	744	397	16	29 5/16	15 5/8	5/8
⑩	x 1	744	498	16	29 5/16	19 5/8	5/8
⑦	x 1	744	498	16	29 5/16	19 5/8	5/8
②	x 1	334	304	3	13 1/8	11 15/16	1/8
③	x 1	338	125	16	13 5/16	4 15/16	5/8
⑬	x 1	562	338	16	22 1/8	13 5/16	5/8
⑪	x 1	667	334	3	26 1/4	13 1/8	1/8
⑥	x 2	744	50	16	29 5/16	1 15/16	5/8
⑧	x 1	744	50	16	29 5/16	1 15/16	5/8
⑫	x 1	1200	630	22	47 1/4	24 13/16	7/8
⑨①	x 1	293	75	13	11 9/16	2 15/16	1/2
⑨②	x 2	335	75	13	13 9/16	2 15/16	1/2





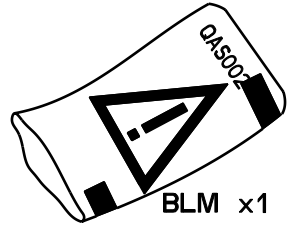
HW x 4



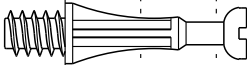
ADM x 30



ADU x 4



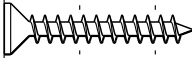
BLM x 1



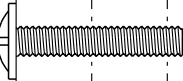
AD x 15



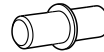
EP x 2



VJ x 2



WZ x 2



DA x 4



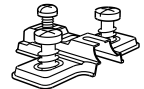
Vi x 8



x2



VR x 2



AHC x 2



EO x 3



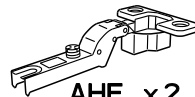
ZK x 1



HV x 1



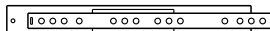
Ai x 15



AHF x 2



CF x 1

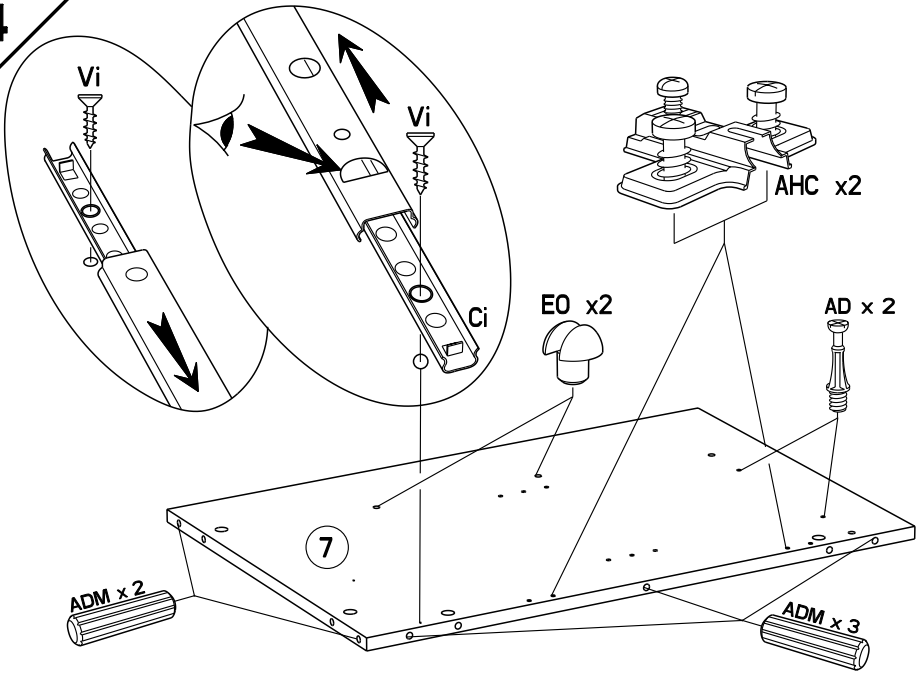


Ci x 2

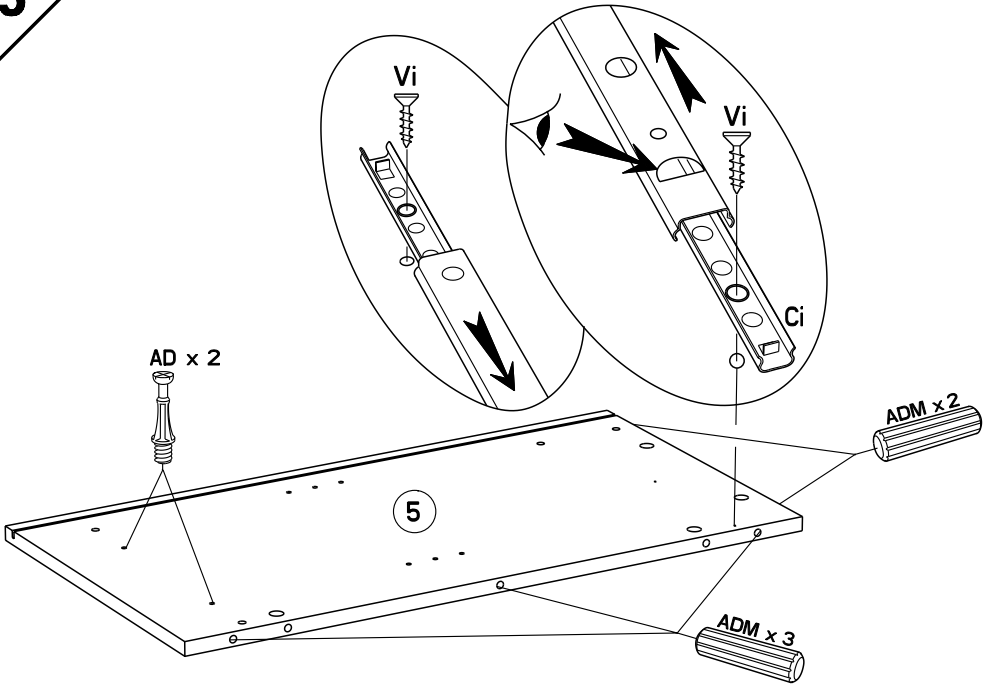


WA x 2

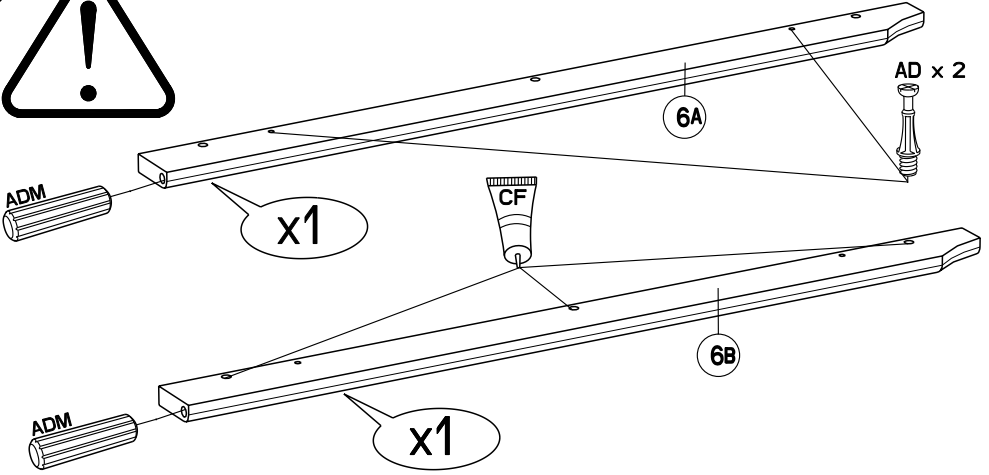
4



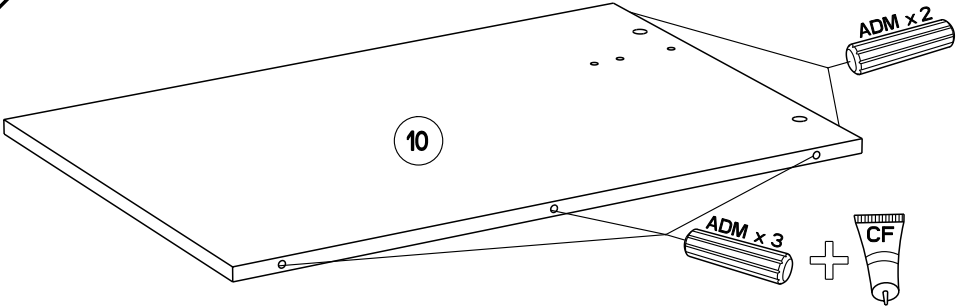
5



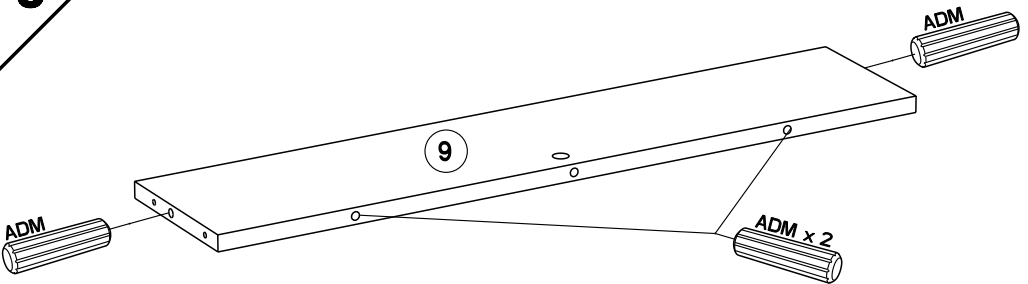
6



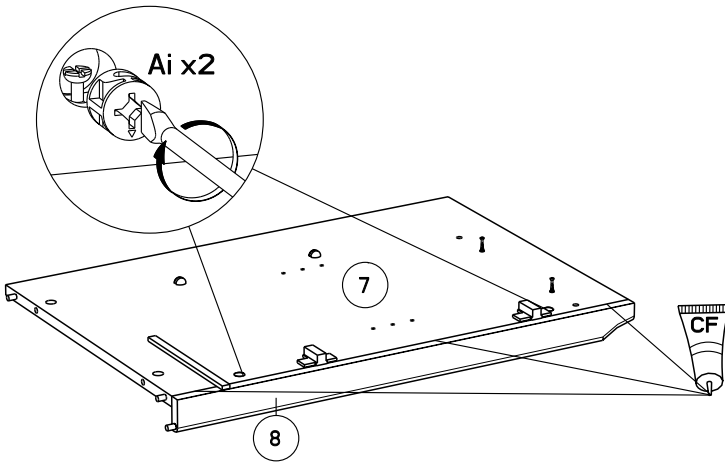
7



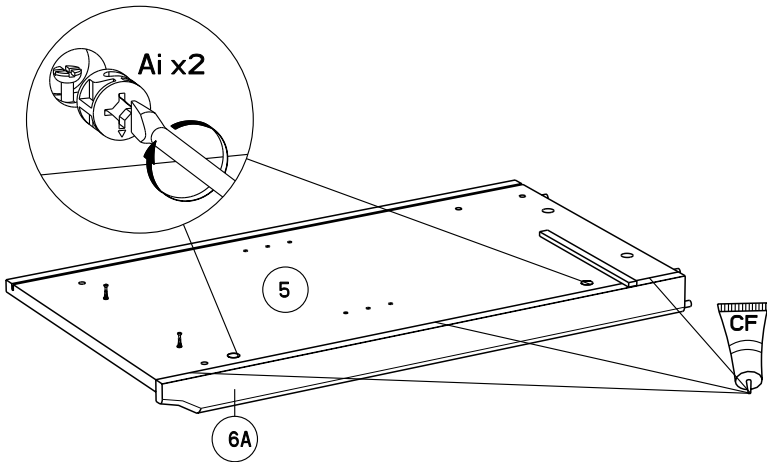
8



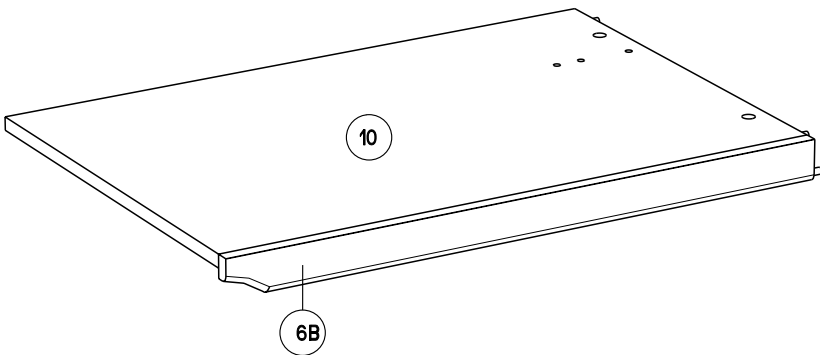
9



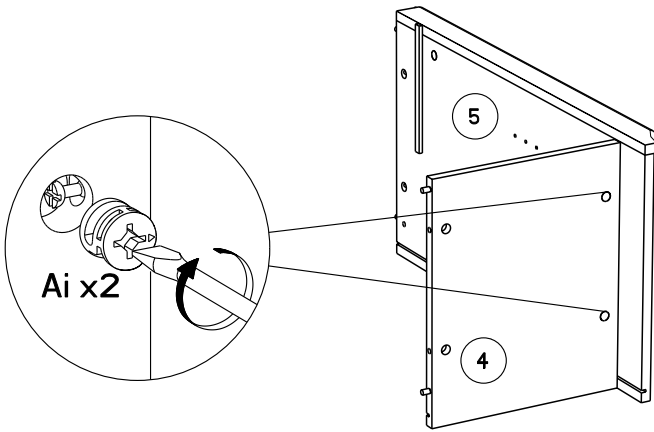
10



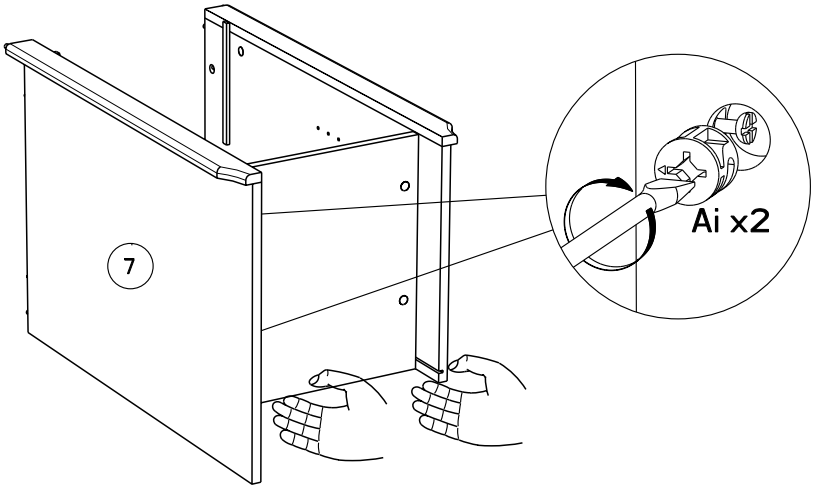
11



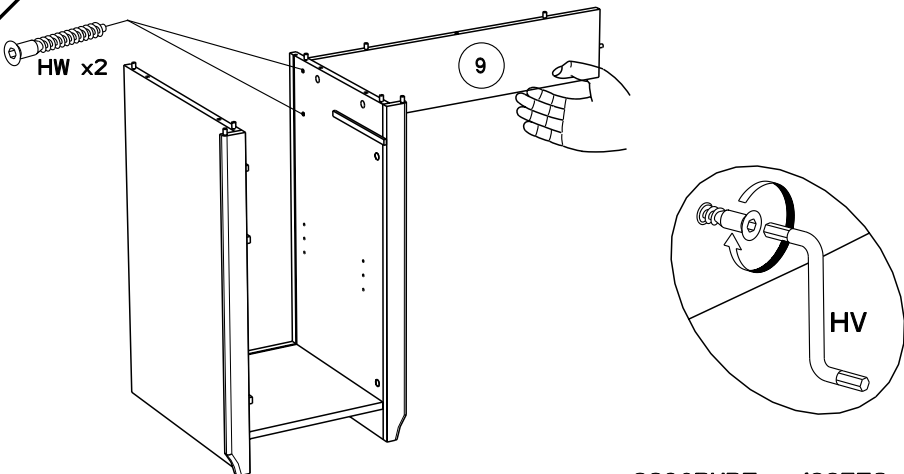
12

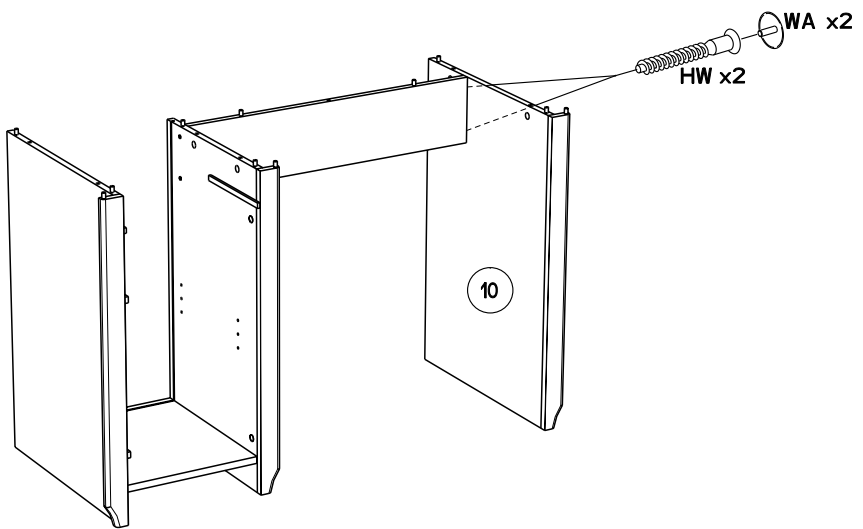
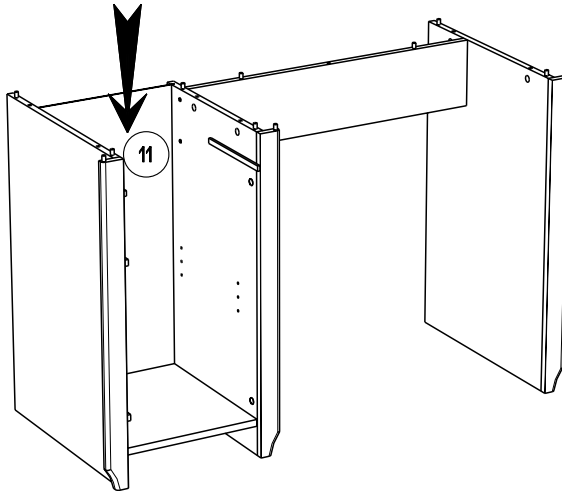
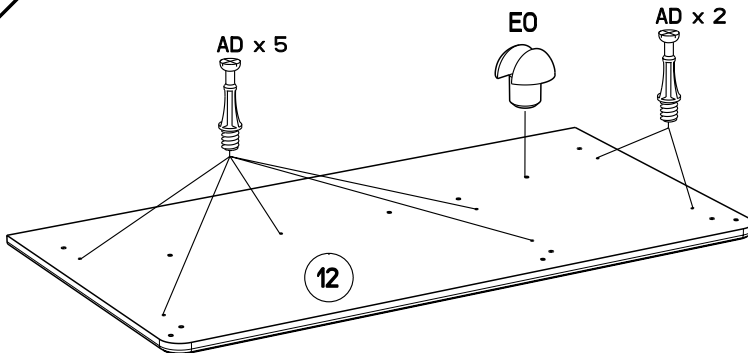


13

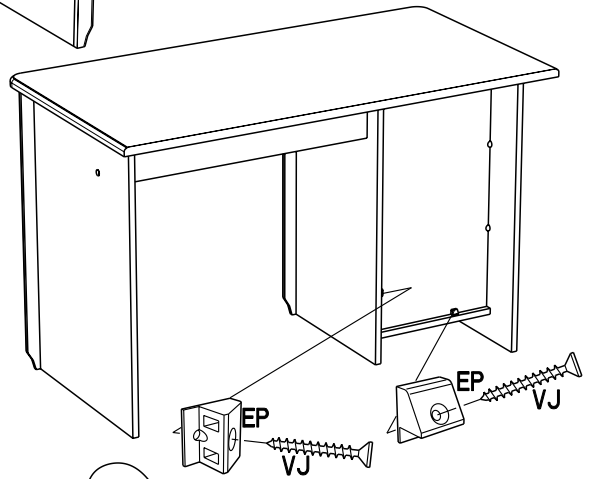
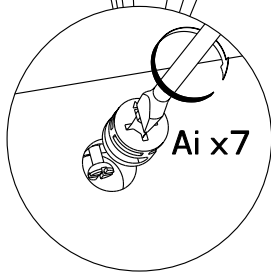
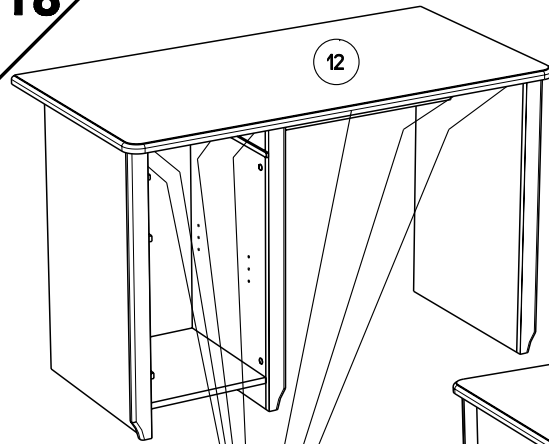


14

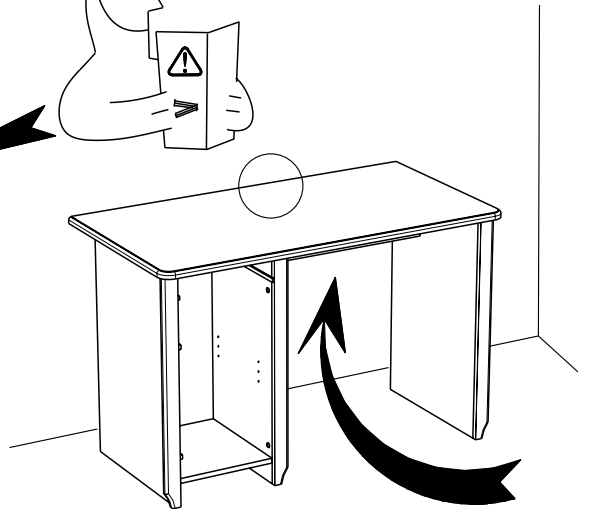
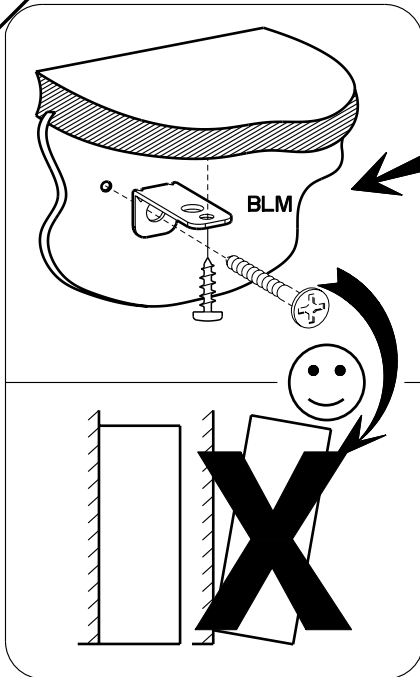


15**16****17**

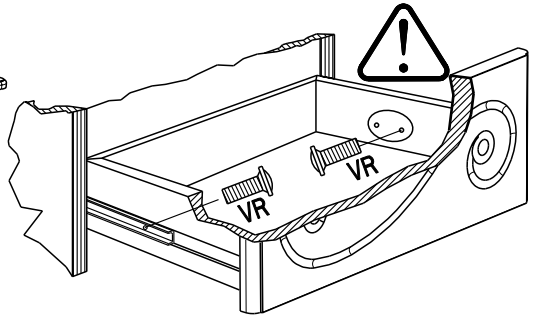
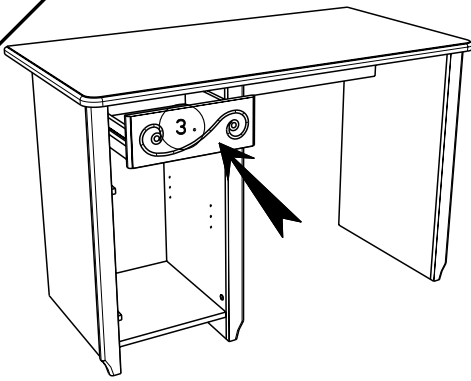
18



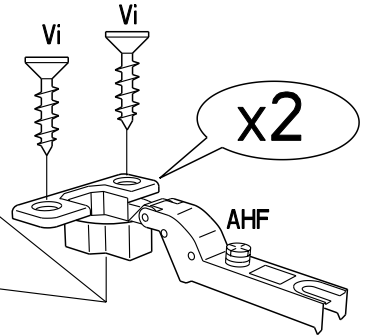
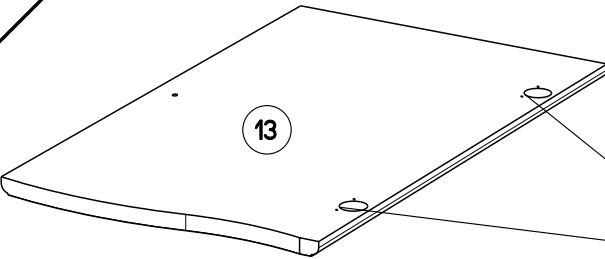
19



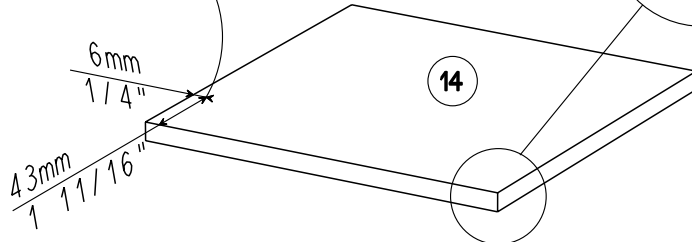
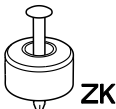
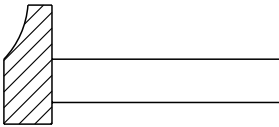
20

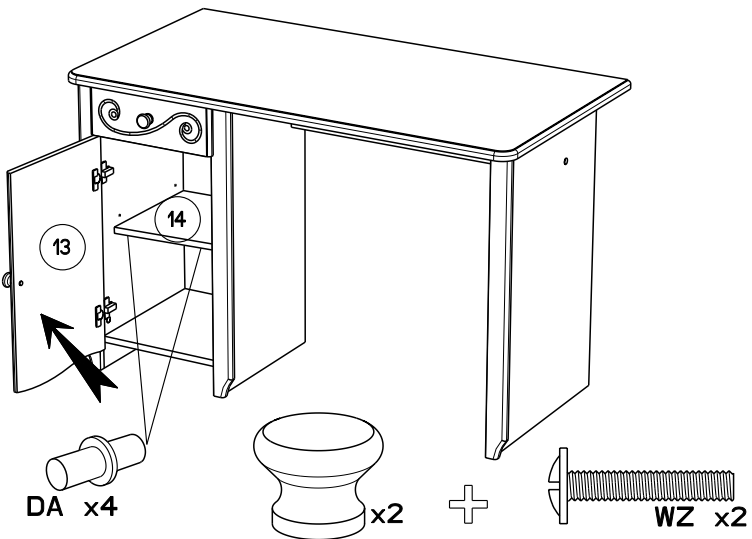


21

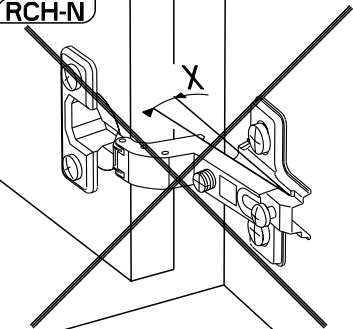


22



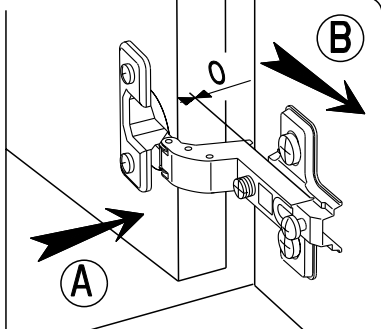


RCH-N



MONTAGE

- (GB)** LEAFLET
- (D)** AUFBAUANLEITUNG
- (E)** MONTAJE
- (P)** MONTAGEM
- (I)** MONTAGGIO
- (NL)** MONTAGE



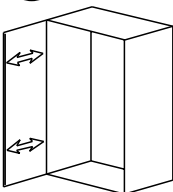
~~REGELUNG~~

(GB) ADJUSTING
(D) ANPASSUNG

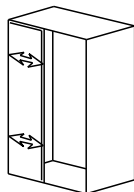
(E) AJUSTER
(P) REGULACAO

(I) AGGIUSTAMENTO
(NL) REGELING

(A)



(B)



(C)

